

SPRAGUE DEVICES, INC.

CORPORATE "K"

A Two Speed Electric Motor For Maximum Dependability.



The Corporate "K" Wiper Motor is a highly reliable 12 volt, two speed power source with 28 Nm of torque.

With a motor casing of drawn sheet steel, plus special features like a steel worm gear and Delrin* drive gear, this rugged motor offers maximum dependability.

Sprague Devices assures quality by testing each and every Corporate "K" motor for electrical current, speed, and park position.

For the power you need and protection you really want, specify the Corporate "K" Wiper Motor on your next wiper system application.

For complete information call us toll-free at (800) 245-7691.

 **SPRAGUE**
Heavy Duty Technology Group

Performance Benefits

- Rugged, long-life construction.
- Steel worm gear and Delrin* drive gear provide greater efficiency and longer service life.
- Optimal mounting design.
- Water protected.

Design Features

- Standard 12 volt D.C. operation.
- Internal thermo switch protects against stall conditions.
- RFI suppression.
- Barium ferrite sintered magnetic material.
- Epoxy-coated, steel motor casing.
- Dynamic park.

Quality Assurance

- Corporate "K" wiper systems exceed OEM durability requirements of 4.5 million cycles.
- Every motor is tested for speed, park position and current draw.
- Quality control processes insure all parts meet design specifications.

Performance Features

TORQUE	LOW SPEED	HIGH SPEED	WEIGHT
Nm	CPM	CPM	Kg
>28	42±5	63±5	1.4

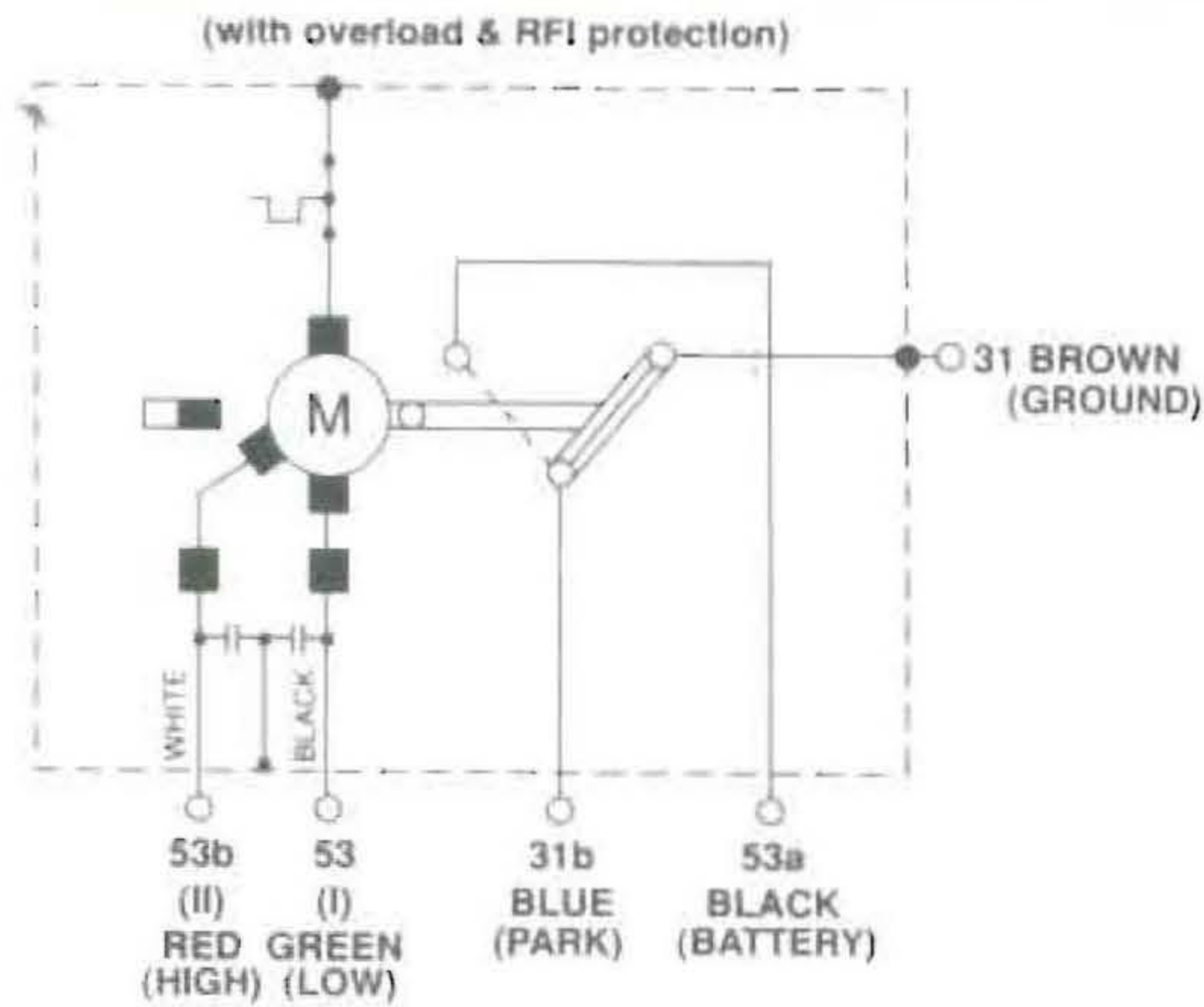
*Trademark of DuPont Corporation.

SPRAGUE DEVICES, INC.

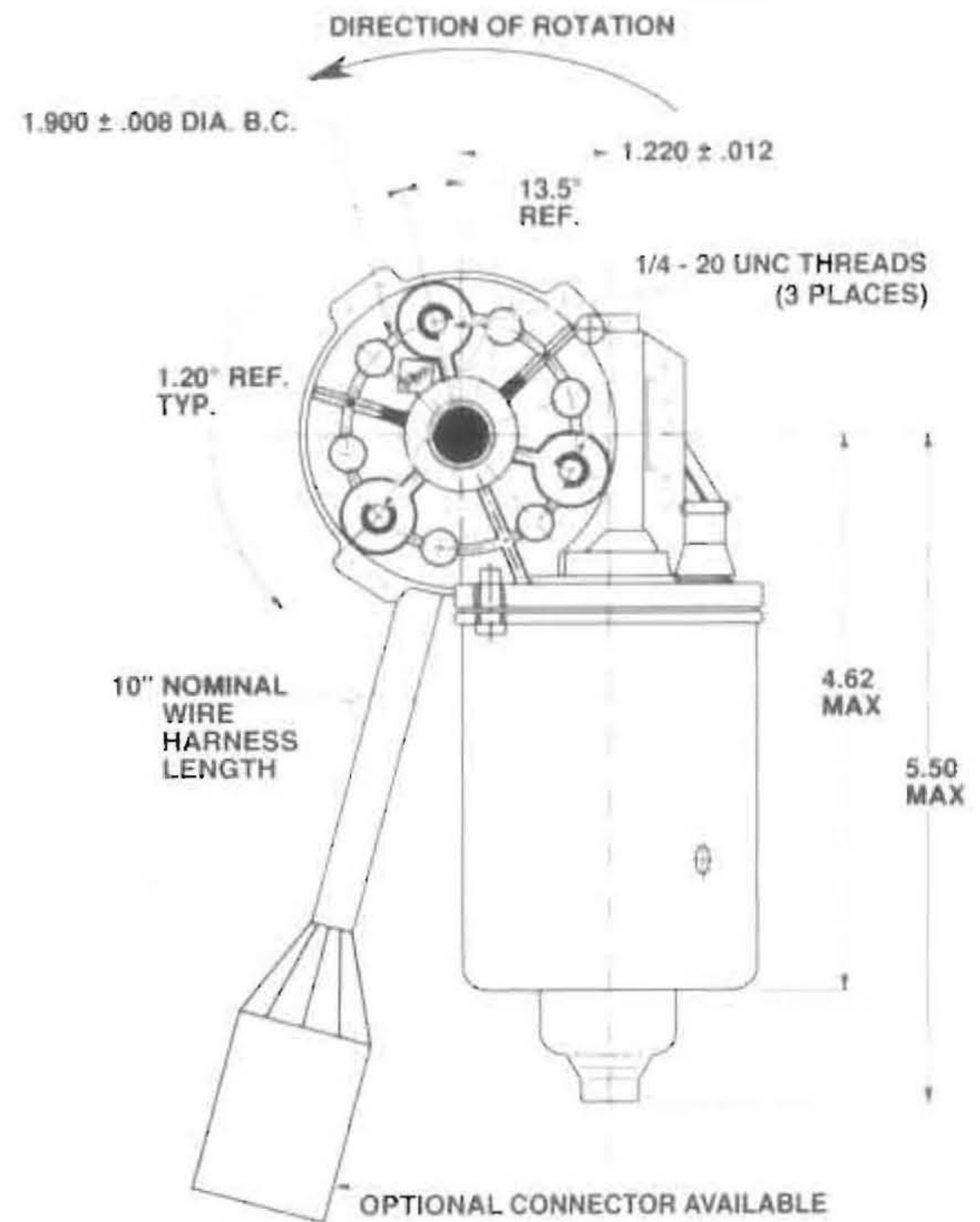
CORPORATE "K"

SPECIFICATIONS

CIRCUIT DIAGRAM



DETAIL DRAWINGS



TORQUE TESTING

